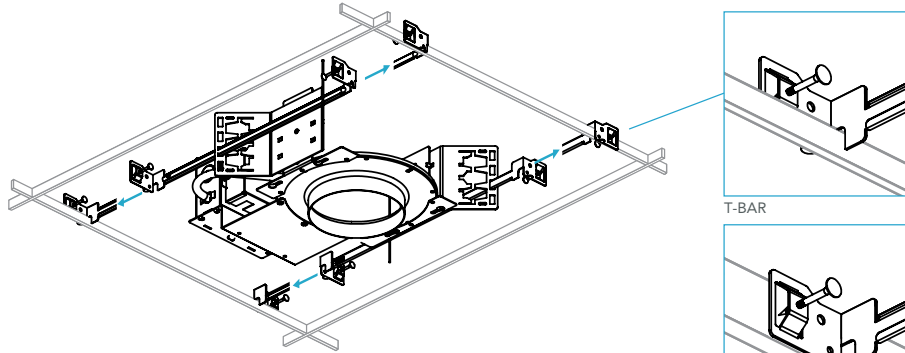


STEP 1

FLAT BAR HANGER

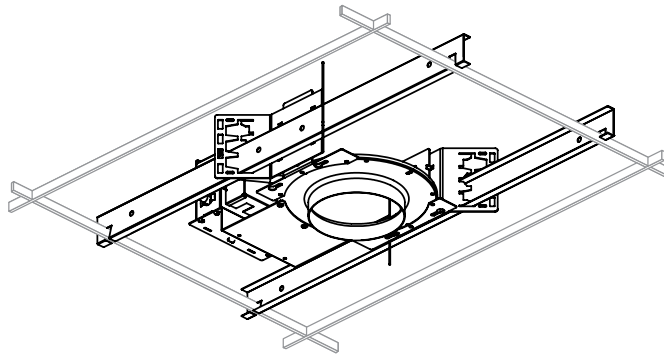
EXTEND FLAT BAR HANGER TO ADJUST THE APPROPRIATE DISTANCE AND LOCK IT WITH THE CEILING BRACKET.



T-BAR

C CHANNEL BAR HANGER

USE C CHANNEL BAR HANGER TO FIX HOUSING ON THE CEILING BRACKET.

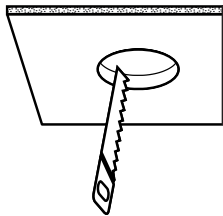


WOOD

STEP 2

CEILING CUT

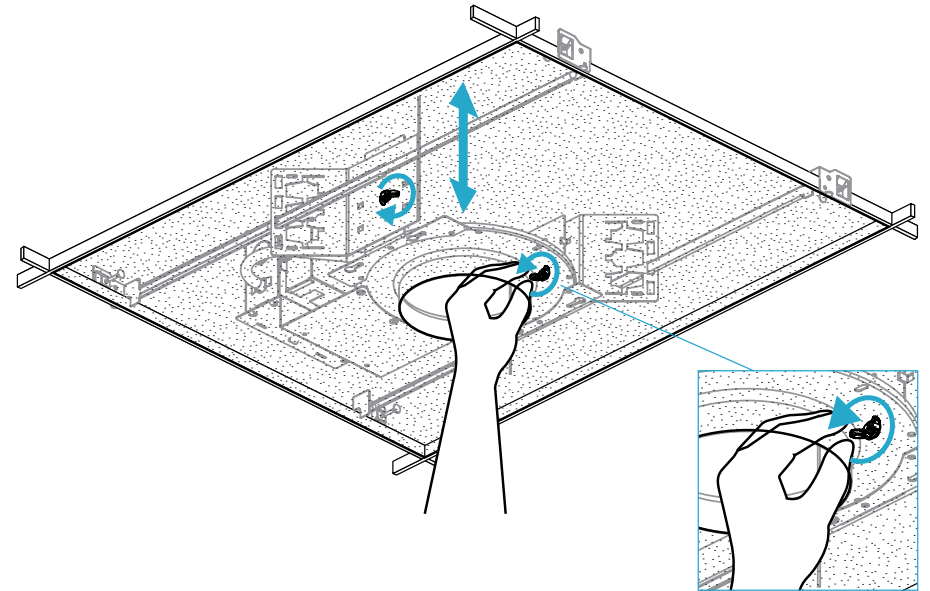
CUT APPROPRIATE SHAPE REFER TO ROUND/SQUARE APERTURE SIZE CHART.



STEP 3

WING NUTS

LOOSEN THE WING NUTS FROM THE INSIDE AND ADJUST THE HEIGHT OF HOUSING WHEN THE HOUSING FIXED ABOVE THE CEILING.



STEP 4

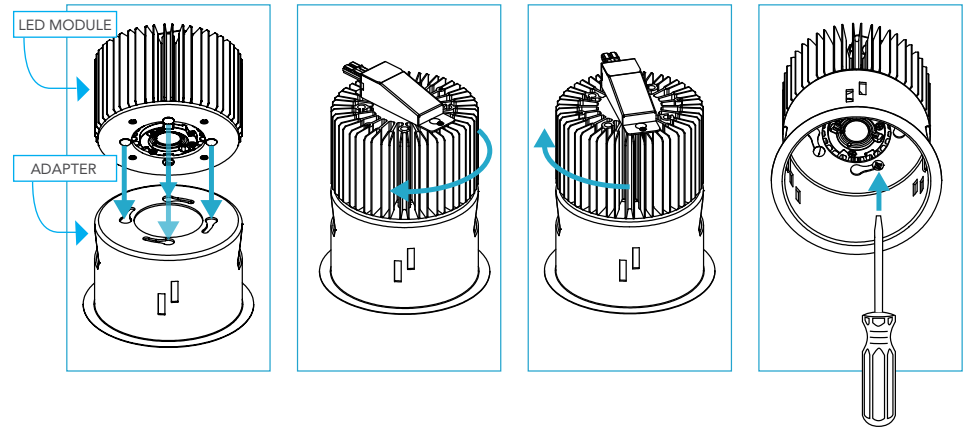
COMBINE THE MODULE

Step 4-1 :
ALIGN THE FOUR HOLES.

Step 4-2 :
ROTATE THE HEAT SINK.

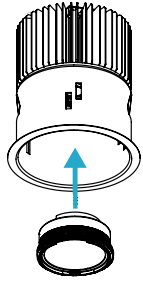
Step 4-3 :
THE MODULE LOCKED
WITH A CLICK.

Step 4-4 :
USE TOOL TO FASTEN
SCREW AT THE BOTTOM
OF THE BODY.

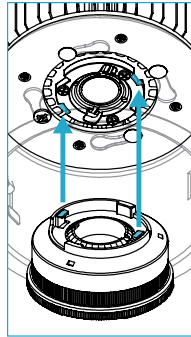


STEP 5

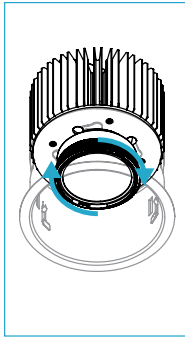
STEP



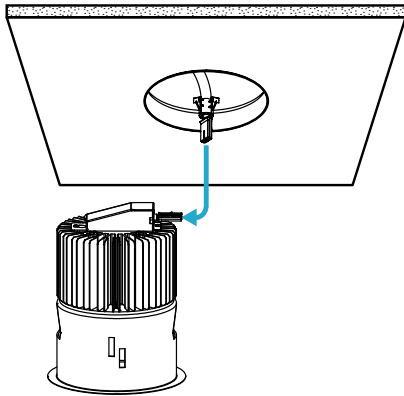
Step 5-A
ALIGN THE MODULE AND LENS.



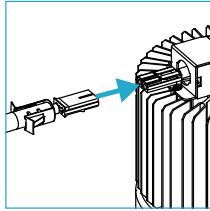
Step 5-B
TURN IN A "CLOCKWISE" DIRECTION TO MOUNT LENS TO MODULE



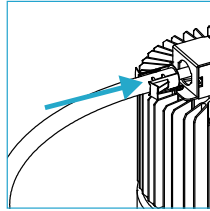
STEP 6
ELECTRICAL CONNECTION



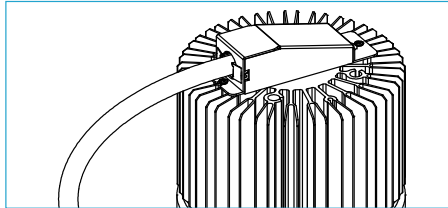
Step 6-A
CONNECT MALE AND FEMALE QUICK CONNECTOR.



Step 6-B
INSERT QUICK CONNECTOR INTO BASE.



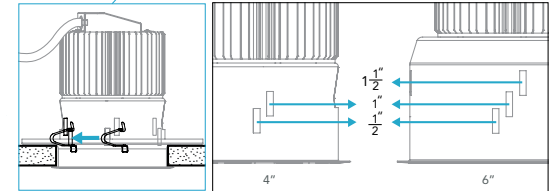
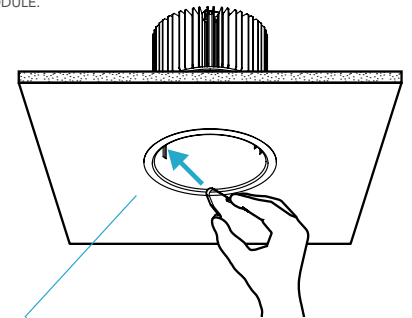
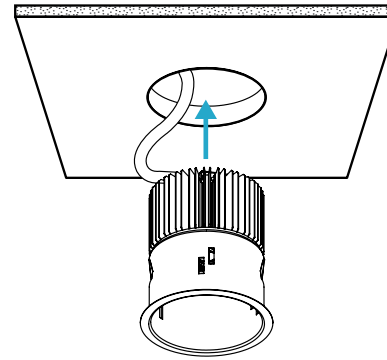
Step 6-C
LOCKED WITH A CLICK.



STEP 7

FIX WITH CLIPS

INSERT MODULE INTO THE CEILING AND USE CLIPS TO SECURE MODULE.
INSERT THE CLIPS INTO THE HOLES.



THE MODULE LOCKED WITH A "CLICKS"

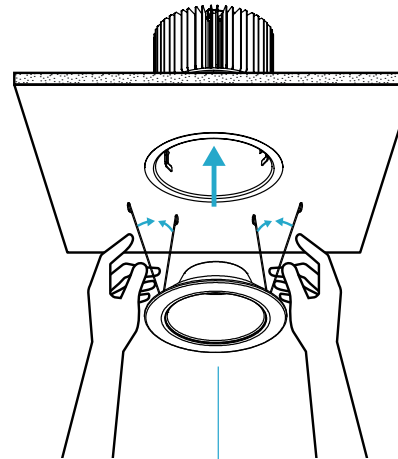
ACCORDING TO THE THICKNESS OF CEILING TO CHOOSE THE APPROPRIATE HOLES.

STEP 8

REFLECTOR

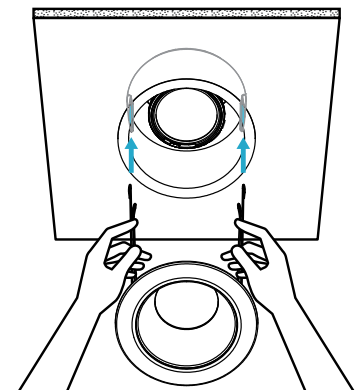
Step 8-A

CLAMP THE REFLECTOR CLIP.



Step 8-B

INSERT THE REFLECTOR CLIP INTO HOLES ON SIDE OF MODULE ADAPTER.



Step 8-C

PUSH INTO CEILING TO COMPLETE THE INSTALLATION

